

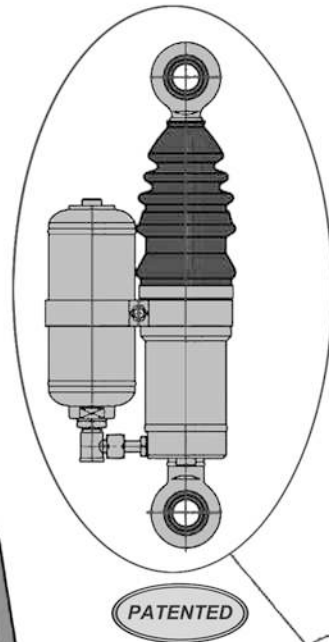
CUSTOMER'S NOTES OR COMMENTS:

CUSTOMER'S TANK OR TRAILER REFERENCE:

TOTAL SUSPENSION SPAN: 110 mm (*)

(*) SPECIFY IF A LONGER SPAN IS NEEDED: mm

A = cm
 B = cm
 C = cm
 D = cm



CUSTOMER'S DATA:

COMPANY NAME:

COMPANY ADDRESS:

.....

.....

CONTACT PERSON:

DEPARTMENT:

PHONE: FAX: DATE:

E-MAIL:

EMPTY TANK WEIGHT (TARE):

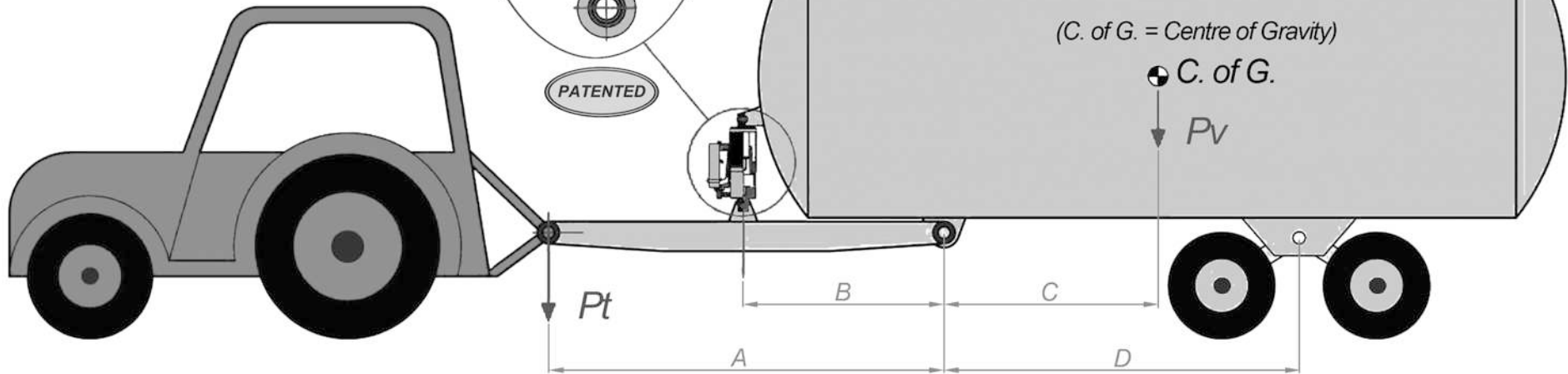
$P_v = \dots\dots\dots$ kg

MAXIMUM LOAD WEIGHT (WITHOUT TARE):

$P_c = \dots\dots\dots$ kg

WEIGHT SUPPORTED BY THE TOW HITCH (EMPTY TANK):

$P_t = \dots\dots\dots$ kg



(2008) SOLICITUD DATOS PARA CÁLCULOS CILINDROS SUSPENSIÓN CUBAS Y REMOLQUES REV 07

HIDRACAR S.A.

Pol. Ind. Les Vives – c/ Anaís Nin, 14
 08295 Sant Vicenç de Castellet, Barcelona (SPAIN)
 www.hidracar.com • E-mail: hidracar@hidracar.com
 Tel.: +34 93 833 02 52 Fax: +34 93 833 19 50

Description:

DATA REQUIRED FOR THE CALCULATION OF THE SUSPENSION CYLINDER, IN TANKS AND TRAILERS

Rev.

07

Date:

13 / 05 / 2008