

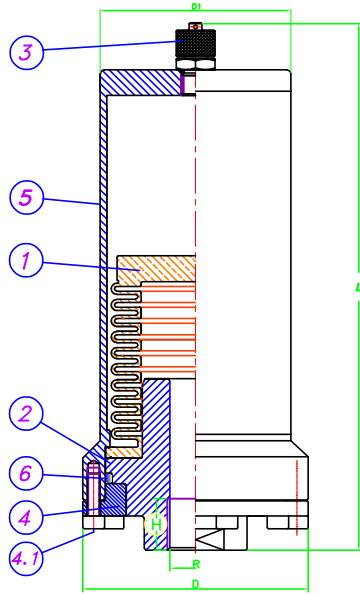
ORDER EXAMPLE: F030 A04 T 1 A1

- A03≡30bar
- A04≡40bar
- A05≡50bar
- A06≡60bar
- A09≡90bar

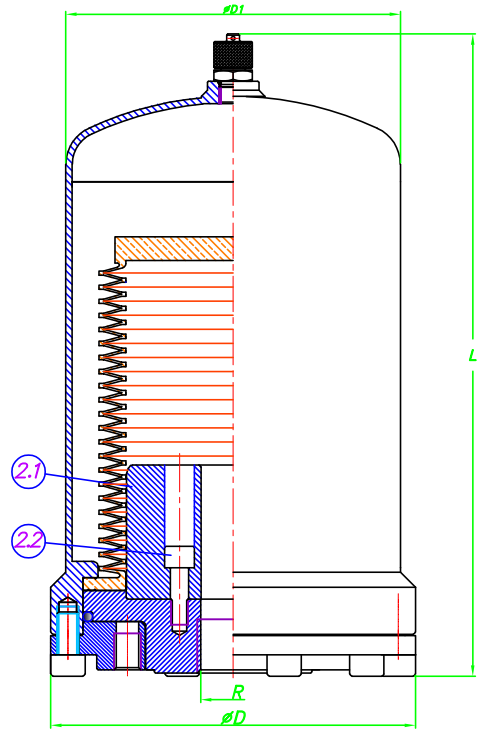
Capacity: 2.6 litres
 A04≡40bar
 T= PTFE Bellows
 1" Standard Connection
 Body & nozzle material: AISI 316L

$$\frac{\text{Maxi. Pressure}}{\text{Filling gas Pressure}} \leq 2 \text{ (@Constant Temp.)}$$

Hydrostatic test pressure @ 1.5 * Design pressure @ 20°C



F002 to F015



F030 to F150

H = MAXI. LENGTH OF THREAD CONNECTION

PULSATION DAMPER MODEL	MAXI. ΔV ADMITTED (c.c.)**	VOLUME (litres)	DESIGN PRESSURE (bar-g)	D (mm)	D1 (mm)	L (mm)	R (BSP)	H (mm)	WEIGHT (Kg.)
F002	15	0.15	90	71	60	178	1/2"	16	1.4
F003	45	0.30	50	84	64	234			2.2
F007	120	0.70	60	105	89	250	3/4"	25	4.1
F015	250	1.50	50	130	114	254			6.6
F030		2.60				295	1"	27	10.6
F040	600	3.80	40	170	156	350			11.0
F060		5.60				475			12.3
F100	1500	10.00	30	250	206	441	2"	35	24.0
F150		15.00				610			26.0

6	SEAL GASKET	1	SILICONE
5	BODY	1	AISI 316L
4.1	BOLTS	7 to 10	DIN 912 A4-70
4	RETAINING NUT	1	AISI 316L
3	FILLING N ₂ VALVE	1	AISI 316L (1/4" BSP)
2.2	BOLTS	3	DIN 912 A4-70
2.1	GUIDING NOZZLE	1	PTFE
2	NOZZLE	1	AISI 316L
1	BELLOWS	1	PTFE
Nº	DENOMINATION	QT.	MATERIALS

Working Temperatures versus Working Pressures
 For a temperature of 100°C correspond design pressure x 0.82
 " " " " 150°C " " " x 0.75
 " " " " 200°C " " " x 0.68

WORKING LIMITS TEMPERATURES(°C): -40° / +200°C

Those Pulsation Dampeners ought to be filled with gas at 80% of the working pressure. It shall be done at the working temperature.

ATTENTION! ALWAYS MUST BE MOUNTED VERTICALITY (VALVE 3 ON TOP)
 ** ΔV ≥ C/2 for a single head pump ("C"=Head pump volume)
 ΔV ≥ C/5 for a duplex heads pump
 ΔV ≥ C/12 for a three heads pump
 NOTE: The precharge with gas or air must be done slowly and with our charging tool Ref. BVXXXA1TM

TOLERANCES:
 External dimensions: ± 3%
 Volume: ± 2.5% Weight: ± 5%

<p>HIDRACAR SA 08243 MANRESA (BARCELONA) SPAIN Phone: 34.93.8330252 E-mail: hidracar@hidracar.com</p>	Customer	Customer Ref.	Replaced Drg.Nº AFT.AI.BP.IN.DOC (Rev.19)	Drawn E.Ponsa	Approved M.Carcaré
	Title PULSATION DAMPER WITH PTFE BELLOWS, SS BODY (All parts in contact with liquid in PTFE and Stainless Steel)		Drg.No AFT.AI.BP.IN.DOC	Rev. 21	Date Sep-19