

FOR HIGHER PRESSURES, SIZES, MATERIALS AND THREAD CONNECTIONS, PLEASE CONSULT

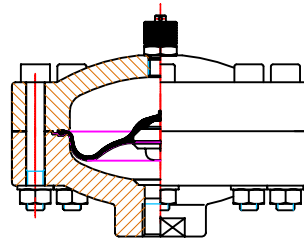
ORDER EXAMPLE: M030 A03 D 1 A1

- A02≡20bar
- A03≡30bar
- A04≡40bar
- A05≡50bar
- A10≡100bar
- A20≡200bar

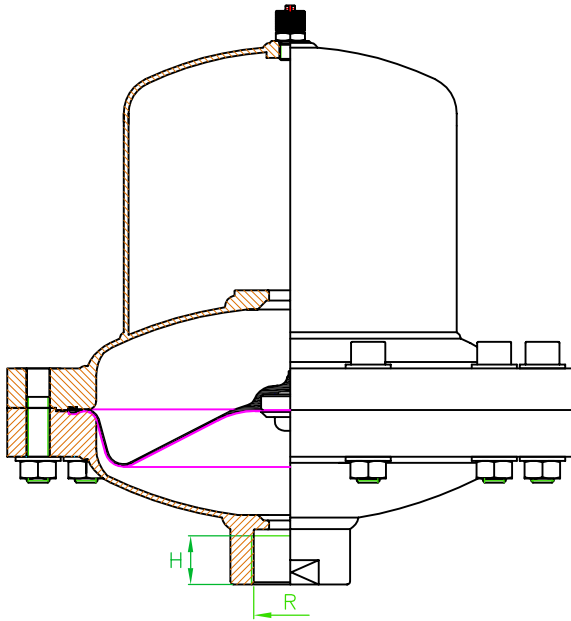
Capacity: 2,8 litres
 A03≡30bar
 D=TFM1705+FKM Double Membrane
 1-1/2" Standard Connection
 Body & insert material: AISI 316L

Value of "K": $\frac{\text{Maxi. Pressure}}{\text{Filling gas Pressure}} \leq 2$ (@Constant Temp.)

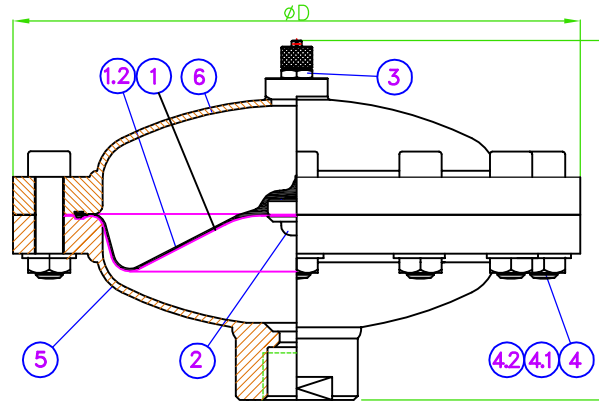
⊕ In these models the value of "K" ≤ 1.5 (@ Constant Temp.)



M002 & M004



M040 & M100



M008 to M030 & M060

PULSATION DAMPER MODEL	VOLUME (litres)	DESIGN PRESSURE (bar-g)	D (mm)	L (mm)	R (BSP)	H (mm)	WEIGHT (Kg)
M002	0.2	200	140	100	1/2"	14	5.2
M004	0.4	100	164	122		16	9.2
M008	0.8	50	180	150	3/4"	20	4.7
M012	1.2	40	224	160			7.5
M030	2.8	30	289	180	1-1/2"	30	15.5
⊕ M040	4.0			275			17.0
M060	5.6	20	340	233	2"		24.5
⊕ M100	10.0			398			26.0

6	UPPER SHELL	1	AISI 316L
5	LOWER SHELL	1	AISI 316L
4.2	NUTS	$\frac{8}{to12}$	DIN 934 A4-70
4.1	WASHERS	$\frac{8}{to12}$	DIN 125 A4-70
4	BOLTS	$\frac{8}{to12}$	DIN 912 A4-70
3	FILLING N ₂ VALVE	1	AISI 316L(1/4" BSP)
2	INSERT (button)	1	AISI 316L
1.2	MEMBRANE	1	FKM
1	MEMBRANE	1	PTFE (TFM1705)
N°	DENOMINATION	QT.	MATERIALS

ATTENTION! ALWAYS MUST BE MOUNTED VERTICALITY (VALVE 3 ON TOP)

Well thickness acc. to AD-2000 code
Hydrostatic test pressure @ 1.5 * Design pressure @ 20°C

TEMPERATURES RANGE

-20° to +200°C

H = MAXI. LENGTH OF THREAD CONNECTION

Working Temperatures versus Working Pressures

For a temperature of 100°C correspond design pressure x 0.82
 " " " " 150°C " " " x 0.75
 " " " " 200°C " " " x 0.68

TOLERANCES:
External dimensions:±.3%
Volume:±.2.5% Weight:±.5%

Those Pulsation Dampeners ought to be filled with gas at 90% of the working pressure. It shall be done at the working temperature.

NOTE: The precharge with gas or air must be done slowly and with our charging tool Ref. BVXXXA1TM

<p>HIDRACAR SA 08243 MANRESA(BARCELONA)SPAIN TEL.+34.93.8330252 e-mail: hidracar@hidracar.com</p>	Customer	Customer Ref.	Replaced Drg.N° AM.AI.BP.IN.DOC (Rev.23)	Drawn E.Ponsa	Approved M.Carcaré
	Title S.S.PULSATION DAMPER DOUBLE MEMBRANE	Drg.No AM.AI.BP.IN.DOC.	Rev. 24	Date Mar-21	Scale none