

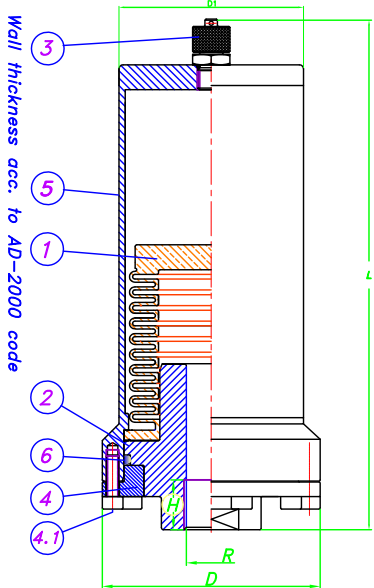
ORDER EXAMPLE: F030 A04 T 1 AI

- A03≡30bar
- A04≡40bar
- A05≡50bar
- A06≡60bar
- A09≡90bar

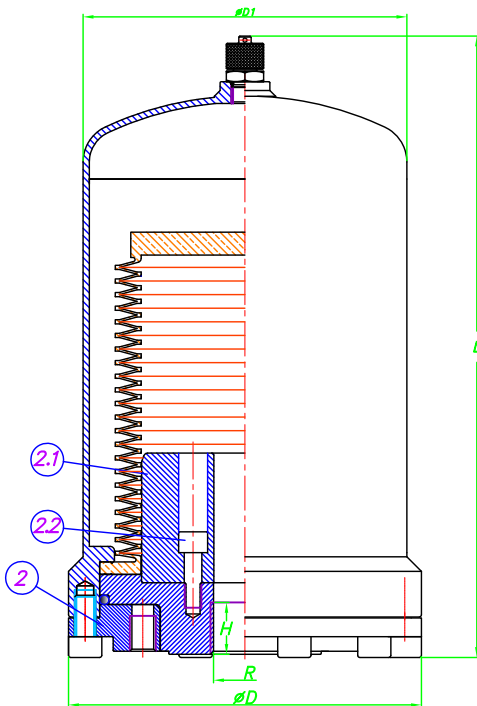
Capacity: 2.6 litres
 A04≡40bar
 T= PTFE Bellows
 1" Standard Connection
 Body & nozzle material: AISI 316L

MAX. WORKING PRESSURE < K
 FILLING GAS PRESSURE

Hydrostatic test pressure @ 1.5 * Design pressure @ 20°C



F002 to F015



F030 to F150

H = MAXI. LENGTH OF THREAD CONNECTION

PULSATION DAMPER MODEL	MAXI. ΔV ADMITTED (c.c.)*	VOLUME (litres)	DESIGN PRESSURE (bar-g)	D (mm)	D1 (mm)	L (mm)	R (BSP)	H (mm)	WEIGHT (Kg.)	K VALUE
F002	12	0.15	90	71	60	178	1/2"	16	1.4	1.2
F003	20	0.30	50	84	64	234			2.2	
F007	80	0.70	60	105	89	250	3/4"	25	4.1	1.6
F015	450	1.50	50	130	114	254			6.6	
F030	950	2.60	40	170	156	295	1"	27	10.6	1.8
F040	1000	3.80				350			11.0	
F060	850	5.60				475			12.3	
F100	2400	10.00	30	250	206	441	2"	35	24.0	1.5
F150	2900	15.00				610			26.0	

N°	DENOMINATION	QT.	MATERIALS
6	SEAL GASKET	1	SILICONE
5	BODY	1	AISI 316L
4.1	BOLTS	7 to 10	DIN 912 A4-70
4	RETAINING NUT	1	AISI 316L
3	FILLING N ₂ VALVE	1	AISI 316L (1/4" BSP)
2.2	BOLTS	3	DIN 912 A4-70
2.1	GUIDING NOZZLE	1	PTFE
2	NOZZLE	1	AISI 316L
1	BELLOWS	1	PTFE

ATTENTION! ALWAYS MUST BE MOUNTED VERTICALITY (VALVE 3 ON TOP)

Working Temperatures versus Working Pressures

For a temperature of 100°C correspond design pressure x 0.82
 " " " " 150°C " " " x 0.75
 " " " " 200°C " " " x 0.68

WORKING LIMITS TEMPERATURES(°C): -40° / +200°C

Those Pulsation Dampeners ought to be filled with gas at 90% of the working pressure. It shall be done at the working temperature.

TOLERANCES:
 External dimensions: ± 5%
 Volume: ± 2.5% Weight: ± 5%

** ΔV ≥ C/2 for a single head pump ("C"=Head pump volume)
 ΔV ≥ C/5 for a duplex heads pump
 ΔV ≥ C/12 for a three heads pump

NOTE: The precharge with gas or air must be done slowly and with our charging tool Ref. BVXXXA1TM

HIDRACAR SA 08243 MANRESA (BARCELONA) SPAIN Phone: 34.93.8330252 E-mail: hidracar@hidracar.com	Customer	Customer Ref.	Replaced Drg.N° AFT.AI.BP.IN.DOC (Rev.23)	Drawn E.Cortina	Approved M.Carcaré
	Title PTFE BELLOWS PULSATION DAMPER, SS BODY & NOZZLE (Wet parts in PTFE and Stainless Steel)	Drg.No AFT.AI.BP.IN.DOC	Rev. 24	Date Apr-22	Scale -