

**HIDRACAR S.A.**Pol.Ind.Buflavent C/Ramon Farguell 73-77  
08243 Manresa (Barcelona)- SpainT. +34 938 330 252  
hidracar@hidracar.com  
www.hidracar.com**DATA SHEET**SS. LOW PRESSURE PULSATION  
DAMPERS WITH IN LINE RUBBER HOSES

## REFERENCE:

AL.AI.BP.IN-LINE.IN.DOC

## REV:

15

## DATE:

NOV-24

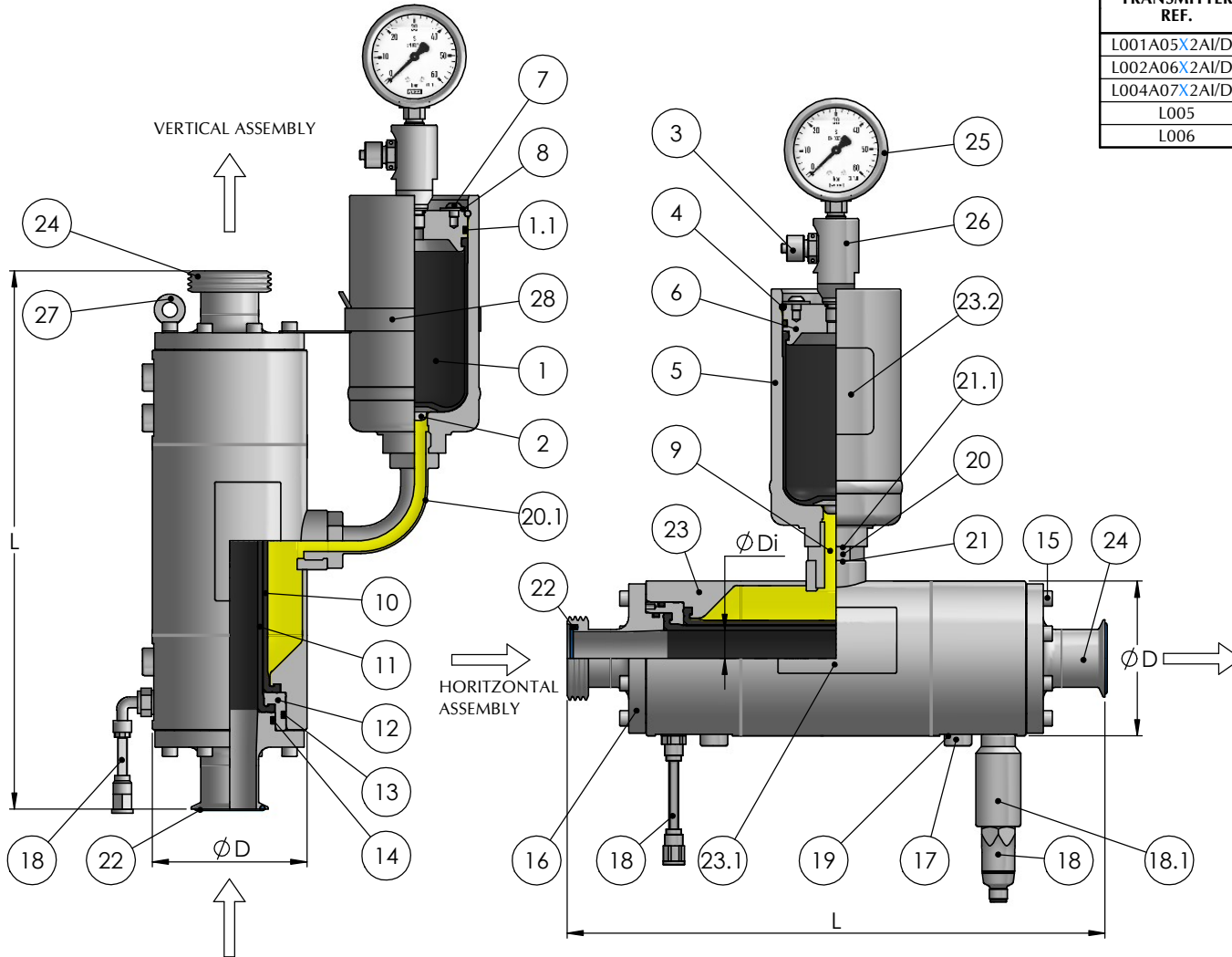
## DRAWN

P.BASCOMPTA

## APPROVED

E.CORTINA

The In-Line hygienic dampener is the ideal solution for dosing circuits in the food and pharmaceutical industries, as well as for managing high-frequency pressure peaks.

TOLERANCES: External dimintions:  $\pm 3\%$  Volume:  $\pm 2.5\%$  Weight:  $\pm 5\%$ 

Wall thickness acc. to EN14359 code  
Hydrostatic test pressure @ 1.43 x Design pressure @ 20°C

IN LINE PULSATION TRANSMITTER REF.	CONNECTION PORTS		BLADDER DAMP. DESIGN PRESSURE (Bar) @ 20°C	D (mm)	Di (mm)	L (mm)		MAX. VOLUME BLADDER DAMPER REF.
	DIN11864-1	ISO1127				DIN	ISO	
L001A05X2AI/DT	DN15/DN25		50	84	23.4	286	293	U007 (0,65 l)
L002A06X2AI/DT	DN32/DN40	DN25/DN32	40	101	37	352	343	U015 (1,5 l)
L004A07X2AI/DT	DN50/DN65		30	149	68.5	442	421	U060 (5,6 l)
L005					102			U150 (15l)
L006					122			U250 (25l)

**REFERENCE CODE IDENTIFICATION**

Rubber Hose X = E (EPDM) or S (SILICONE)

**MAX. W. TEMPERATURE:** 90°C IF CLOSED LIQUID (9) IS WATER AND GAS FILLING PRESSURE > 2 BAR

**WORKING TEMPERATURES VERSUS WORKING PRESSURES**

For a temperature of 90°C correspond design pressure x 0,85

Nº	ITEM	QT.	MATERIAL
1	DAMPENER BLADDER	1	EPDM or SILICONE (FDA)
1.1	O-RING	1	EPDM
2	INSERT	1	AISI 316L
3	CHARGING GAS VALVE	1	AISI 316L (1/4" BSP or Vg8)
4	RETAINING RING	1	AISI 316
5	BODY TOP BLADDER DAMPENER	1	AISI 316L
6	COVER TOP BLADDER DAMPENER	1	AISI 316L
7	BOLT	1 to 4	AISI 316L
8	WASHER	1 to 4	AISI 316L
9	SILICONE OIL (FDA) OR DESTILATED WATER		
10	EXTERNAL RUBBER HOSE	1	EPDM or SILICONE (FDA)
11	INTERNAL RUBBER HOSE	1	EPDM or SILICONE (FDA)
12	SUPPORTING RING	2	AISI 316L
13	O-RING	2	EPDM or SILICONE (FDA)
14	O-RING	2	EPDM or SILICONE (FDA)
15	RETAINING BOLTS	16	AISI 316L
16	FLANGE CONNECTIONS	2	AISI 316L
17	FILLING PLUG 1/4" BSP	2	AISI 316L
18	WINDOWS TUBE OR SENSOR	1	FOR DETECTION HOSE RUPTURE
18.1	PLUG 1/4" BSP PORT CONNECTION	1	AISI316 FOR ELECTRONIC SENSOR
19	SEAL WASHER	4	AISI 316L
20	ADAPTOR	1	AISI 316L
20.1	BENDED TUB ADAPTOR	1	AISI 316L
21	SEAL WASHER	1	AISI 316L
21.1	SEAL WASHER	1	AISI 316L
22	DIN-11851 or ISO-1127 SEAL	2	EPDM or SILICONE (FDA)
23	IN LINE SHELL	1	AISI 316L
23.1	WELD NAMEPLATE	1	AISI 316L
23.2	IDENTIFICATION LABEL	1	ADHESIVE PLASTIC
24	CONNECTION PORTS	2	(ON DEMAND) AISI 316L
25	PRESSURE GAUGE	1	AISI 304
26	"T" ADAPTOR	1	AISI 303
27	HANG EYEBOLT	1	AISI 303
28	BLADDER DAMPENER SUPPORT	1	AISI 303

**FOR HIGHER PRESSURES, TEMPERATURES AND OTHER CONNECTIONS PORTS, PLEASE CONSULT.**